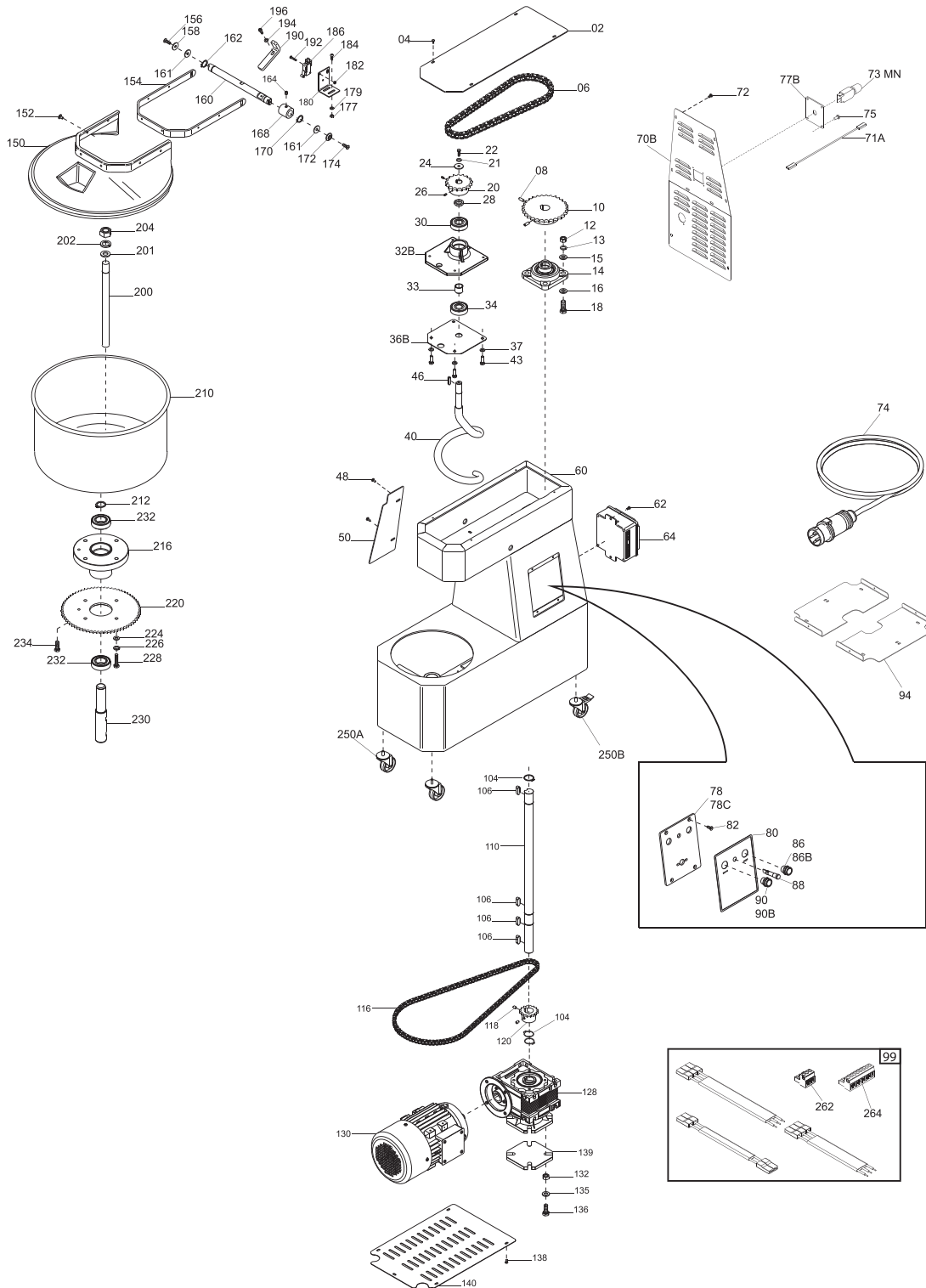


Parts Breakdown

Model MX-IT-0030-FT 47418



Parts Breakdown

Model MX-IT-0030-FT 47418

Item No.	Description	Position	Item No.	Description	Position	Item No.	Description	Position
AH057	Upper Casing ETL HRC 30 Vern. for 47418	02	AH067	Feathers DIN 6885 / A6x6x25 for 47418	46	AH064	Internal Panel ETL HRC 30 for 47418	94
69217	Screw Poeliers M4x8 for 47418	04	69217	Screw Poeliers M4x8 for 47418	48	AH027	Nut ES. DIN 934 M 10 for 47418	97
AH038	Chain 1/2"x5/16" HRC for 47418	06	AH059	Tank Protection ETL HRC 30 VERN. for 47418	50	AH047	Internal Wiring 220/60 ETL HRC for 47418	99
AH031	Screw DIN 916 M6x20 NE for 47418	08	AH056	Welded Frame ETL HRC 30 VERN. for 47418	60	AH007	Retaining Rings DIN 471 D 25E for 47418	104
AG959	Pinion Z30 1/2"x5/16" D25 for 47418	10	AH019	Screw TCEI DIN 912 M6x10 for 47418	62	AH009	Feathers DIN 6885 / A8x7x25 for 47418	106
AH027	Nut ES. DIN 934 M10 for 47418	12	62660	Washer F Wide DIN 9021 D6x18 for 47418	63	AH053	Transmission Shaft HRC 30-40 for 47418	110
AG958	Flange Support HRC for 47418	14	AH066	Electric Box TGM2SIR HRC MN for 47418	64	AH039	Chain 3/8"x7/32" HRC 30 for 47418	116
62645	Flat Washer DIN 125 D10 for 47418	15	AH036	Terminal Block for 47418	68	AH030	Grub Screw DIN 916 M6x8 NE for 47418	118
AH016	Washer F.Larga DIN 9021 D10x30 for 47418	16	AH058	Rear Carter Y16 ETL HRC 30 VERN. for 47418	70	AH041	Pinion Z20 3/8"x7/32" D25 for 47418	120
AH025	Screw TE DIN 933 M10x35 T.F. for 47418	18	AG952	Power Cable UL Thermal Protection for 47418	71	AH044	Reducer NMRV 063 B14 1/30 FA 90 for 47418	128
AH040	Pinion Z17 1/2"x5/16" D20 for 47418	20	69217	Screw Poeliers M4x8 for 47418	72	AH043	Mot. MC 90 1,10KW B14 4P UL 220-60 for 47418	130
AH004	Grower Washer UNI 1751 D8 for 47418	21	AH046	Thermal Protection T11-211 11A MN HRC 4-5 for 47418	73	AH027	Nut ES. DIN 934 M 10 for 47418	132
62663	X.Screw DIN 933 M8x20 for 47418	22	AH045	Power Cable CMP SUKO PA244S 3x1.5 HRC for 47418	74	62645	Flat Washer DIN 125 D 10 for 47418	135
AH004	Grower Washer UNI 1751 D8 for 47418	23	AH010	Screw Autof.TC+ DIN 7981 D3x8 for 47418	75	AH024	Screw TE DIN 933 M 10x30 T.F. for 47418	136
AH070	Washer F Wide DIN 9021 D8x32 ZN for 47418	24	AG991	Supp. Plate Prot. Term. MN HRC for 47418	77	AH068	Screw TE DIN 933 M 10x40 T.F. for 47418	137
AH069	Screw without Hhead DIN 916 M5x16 NE for 47418	26	AH060	Plate, Controls Panel for 47418	78	69217	Screw Poeliers M4x8 for 47418	138
AH050	Spacer HRC 30-40 for 47418	28	AH011	Screw TC+ DIN 7985 M4x8 for 47418	79	AH062	HRC Gear Motor Plate 30 for 47418	139
AH034	Ball Bearing 6204 2RS NTN for 47418	30	AG971	Face Plate, Controls Panel for 47418	80A	AH061	Underdeck Protection HRC 30 for 47418	140
AH037	Spiral Cast Iron Supp Y12 HRC 30 LAV. for 47418	32B	AH012	Screw TSPEI DIN 7991 M5x8 for 47418	82	AH065	ETL HRC 30 Thermoformed Protection for 47418	150
AH052	Dist.Int.Cusc.Supp.Spiral HRC 3-4 for 47418	33	AH014	Washer F.Larga DIN 9021 D4x12 for 47418	84	69218	Screw Poeliers M5x8 for 47418	152
AH034	Ball Bearing 6204 2RS NTN for 47418	34	AG949	Black Push Button N.O. for 47418	86	AH063	Lide Frame HRC 30 for 47418	154
AH049	Spiral Support Plate Y12 HRC 30 for 47418	36B	AG947	Stainless Steel Off Button Resin-Coated Y12 UL for 47418	86B	AH013	Flathead CSK Screw DIN 7991 M5x14 for 47418	156
62644	Flat Washer DIN 125 D8 for 47418	37	AH035	Pilot Light 24V for 47418	88	AH055	Lid Shaft for 47418	160
AH048	Spiral Y17 HRC 30-40 for 47418	40	AG950	White Push Button N.O. for 47418	90	AG996	Plastic Washer 16x25x1 HRC for 47418	161
AH022	Screw TE DIN 933 M8x25 T.F. for 47418	43	AG948	Stainless Steel On Button with Light Y12 Resin UL for 47418	90B	AH006	Stop Rings DIN 471 D 15E for 47418	162

Parts Breakdown

Model MX-IT-0030-FT 47418

Item No.	Description	Position	Item No.	Description	Position	Item No.	Description	Position
AH030	Grub Screw DIN 916 M6x8 NE for 47418	164	AH001	Washer DIN 125 D 5 for 47418	194	AH004	Grower Washer UNI 1751 D 8 for 47418	226
AG997	Cam HRC TA for 47418	168	AH018	Screw TCEI DIN 912 M5x12 for 47418	196	AH023	Screw TE DIN 933 M8x35 T.F. for 47418	228
AG977	Washer HRC for 47418	172	AH054	Shaft HRC 30-40 for 47418	200	AG981	Shaft, Bowl Support HRC for 47418	230
AH026	Hex.Nut DIN 934 M4 for 47418	177	AH005	Grower Washer UNI 1751 D 18 for 47418	201	AH032	Screw without Head DIN 916 M8x16 NE for 47418	231
AG990	Hold Plate for Microswitch HRC for 47418	180	AH033	Flat Washer DIN 125 D 18 Zinc for 47418	202	AG945	Bearing 6205 2RS ORS for 47418	232
69215	Nut DIN 934 M3 for 47418	182	AH028	Nut ES. DIN 934 M18 for 47418	204	AH022	Screw TE DIN 933 M8x25 T.F. for 47418	234
69209	Washer DIN 125 D3 for 47418	183	AH051	Bowl 400x260 HRC 30 for 47418	210	AG998	Wheel HRC ETL CMT1-3PBB for 47418	250A
AG965	Micro Switch with Lever HRC ETL for 47418	186	AH007	Retaining Rings DIN 471 D 25E for 47418	212	AG999	HRC ETL Wheel C / Brake CMT1-3PPB for 47418	250B
AG989	Corner Plate for 47418	190	AG955	Bowl Holder HRC for 47418	216	AG969	3-Pole HRC Connector for 47418	262
AH020	Screw TE DIN 933 M3x16 T.F. for 47418	192	AH042	Crown Z85 3/8"x7/32" C.LAV.HRC3-4-5 for 47418	220	AG970	8 Poles HRC Connector for 47418	264